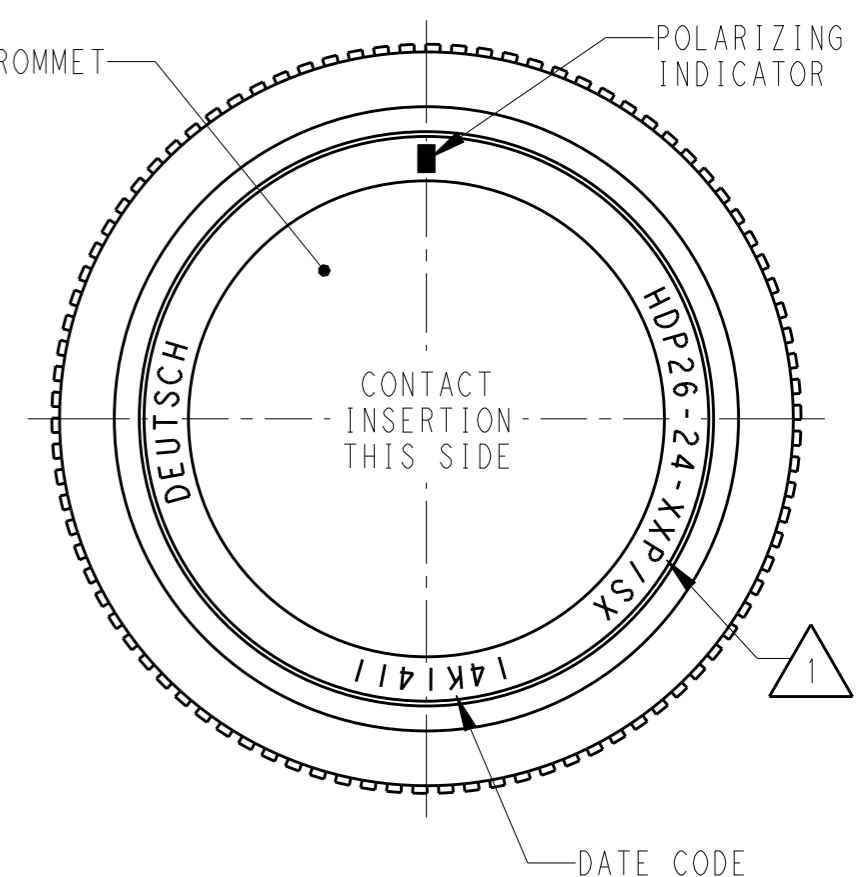


LOC	DIST	REVISIONS			
P	LTR	DESCRIPTION	DATE	DWN	APVD
		NC	NEW RELEASE PER E.O. P16572	07MAR2000	SB RDR
		A	REVISED PER E.O. P16875	29SEP2000	SB RDR
		B	REVISED PER E.O. P18119	15APR2003	AR RDR
		C	REVISED PER ECO-14-019072	23FEB2015	JA DM



SCALE 1:1

- 5 NOTED DIMENSION DOES NOT INCLUDE GROMMET PROTRUSION.
- 4 MATERIAL: PLUG HOUSING/COUPLING RING: PA66 GF10 (BLACK)
 RETAINER RING: PA66 GF10 (GREEN, GRAY, BLUE)
 GROMMET: SILICONE (ORANGE-RED)
- 3 SEE 0425-021-0000 APPLICATION SPECIFICATION
 A. RECOMMENDED WIRE INSULATION RANGE
 B. CONTACT REMOVAL TOOLS

2. THIS PLUG MATES WITH HDP24-24XXP/SX-XXXX RECEPTACLE
 X = SEAL TYPE (N,T,E)
 XX = INSERT ARRANGEMENT
 XXXX = MODIFICATION

1 SEE CUSTOMER DRAWING 0425-014-2400 FOR AVAILABLE INSERT ARRANGEMENTS AND PART NUMBERS.

NOTES:

THIS DRAWING IS A CONTROLLED DOCUMENT.		DWN	06MAR2000	TE Connectivity	
		CHK	11APR2003		
		APVD	11APR2003	NAME PLUG, COUPLING RING SIZE 24 HDP SERIES	
		PRODUCT SPEC	0425-021-0000		
DIMENSIONS: INCHES [mm]		TOLERANCES UNLESS OTHERWISE SPECIFIED:		SIZE	
		0 PLC	±	A3	
		1 PLC	±	CAGE CODE	
		2 PLC	±	4AFU8	
		3 PLC	±.015 [0.38]	DRAWING NO	
		4 PLC	±	C-HDP26-24-XXP/SX	
		ANGLES	±0°30'0"	RESTRICTED TO	
MATERIAL		FINISH	N/A	-	
4		WEIGHT		SCALE 2:1	
		Customer Drawing		SHEET 1 OF 1	
				REV C	